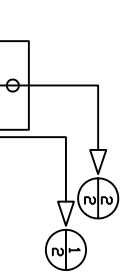
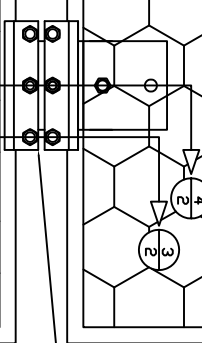


PERIMETER  
CLAMP

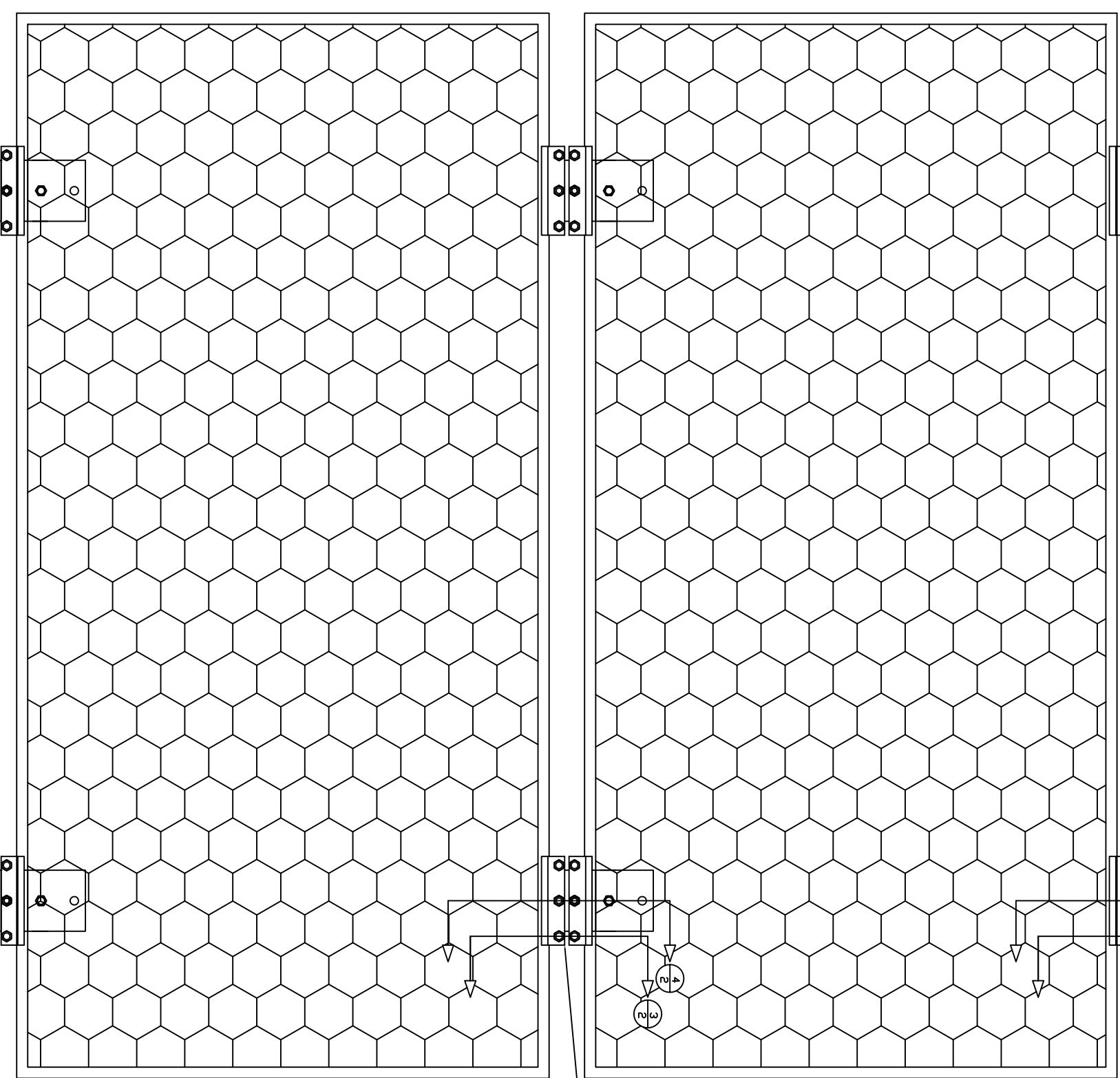
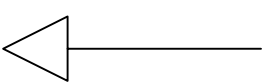


MIDDLE  
CLAMP



TOP

SLOPE



Notes:

- 1. Location and number of clamps to be established after project-specific design review.

Contents:

- Cover / Layout Sheet 1/3
- Sections and Details Sheet 2/3
- Components Sheet 3/3

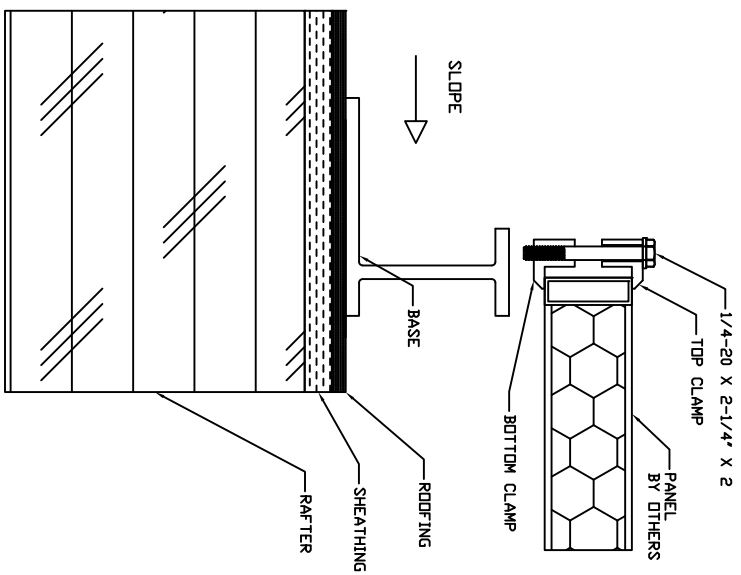
516 Lindenhurst St. Philadelphia, PA 19116 215-892-5600

*Solar Clam-P*

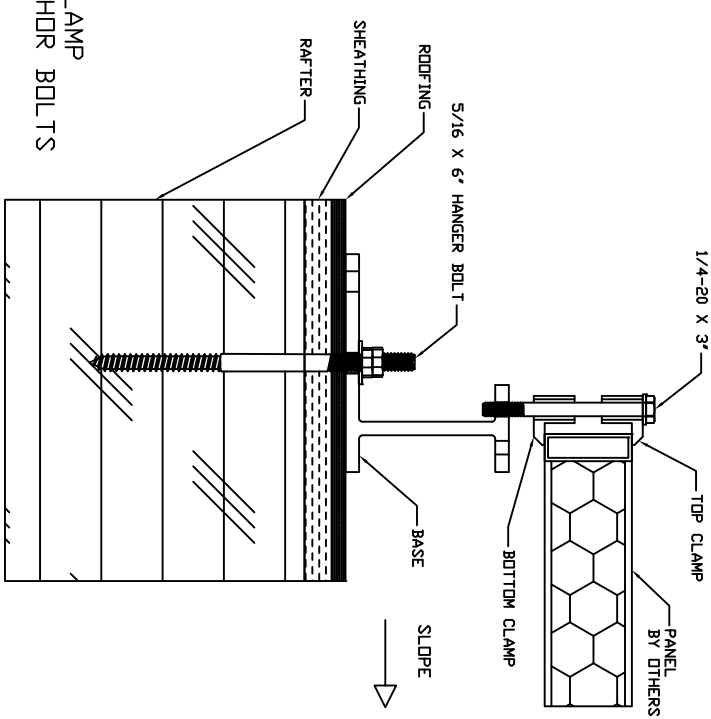
Solar Clam-P  
Cover / Layout

SIZE	PROJ. NO.	DWG NO.	REV
B	C2294,01	D-001,01	-
SCALE	DATE	SHEET	
NTS	09/10/12	1 OF 3	

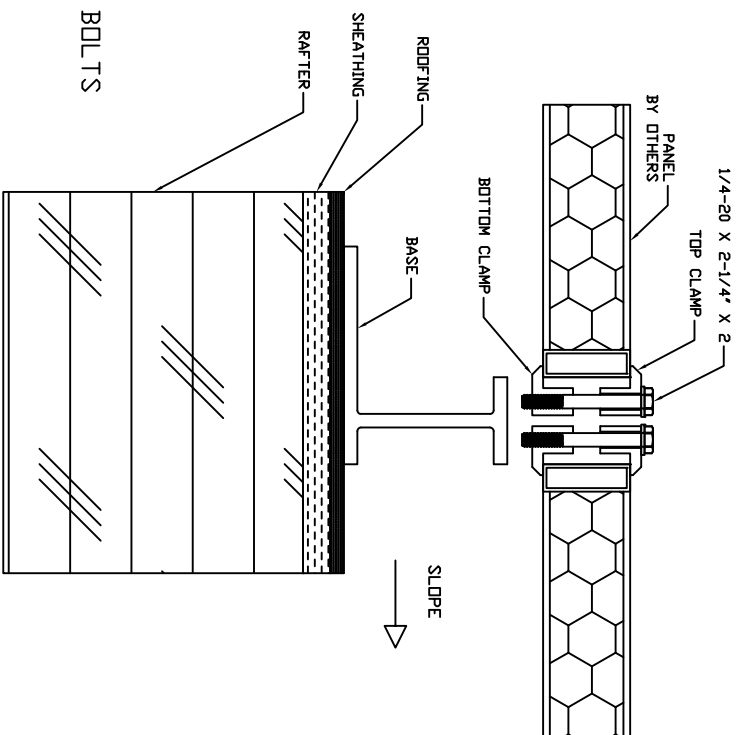
1 PERIMETER CLAMP THROUGH CLAMP BOLTS



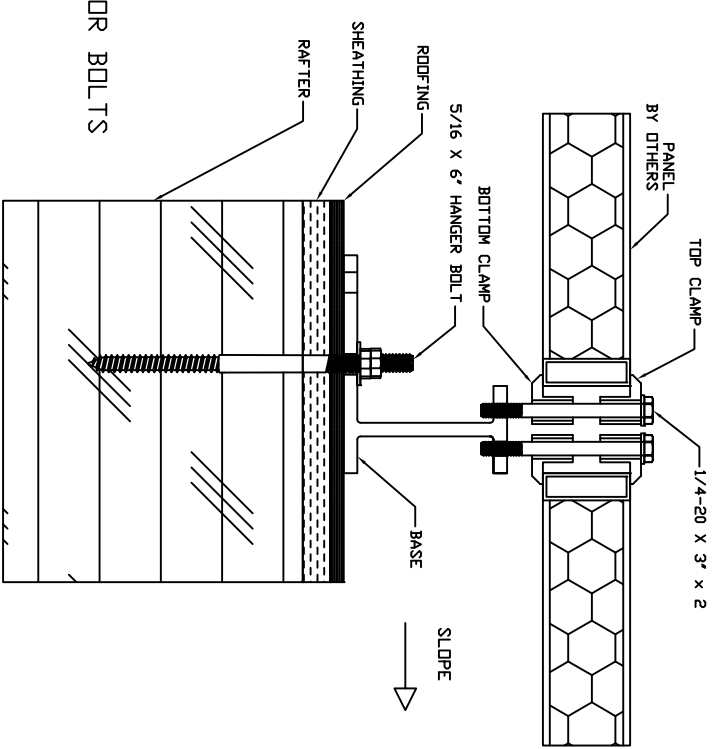
2 PERIMETER CLAMP THROUGH ANCHOR BOLTS



3 CENTER CLAMP THROUGH CLAMP BOLTS



4 CENTER CLAMP THROUGH ANCHOR BOLTS



Notes:

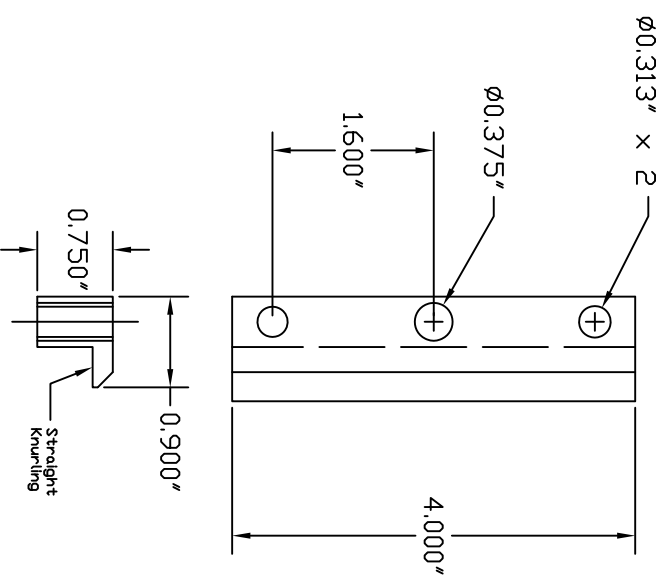
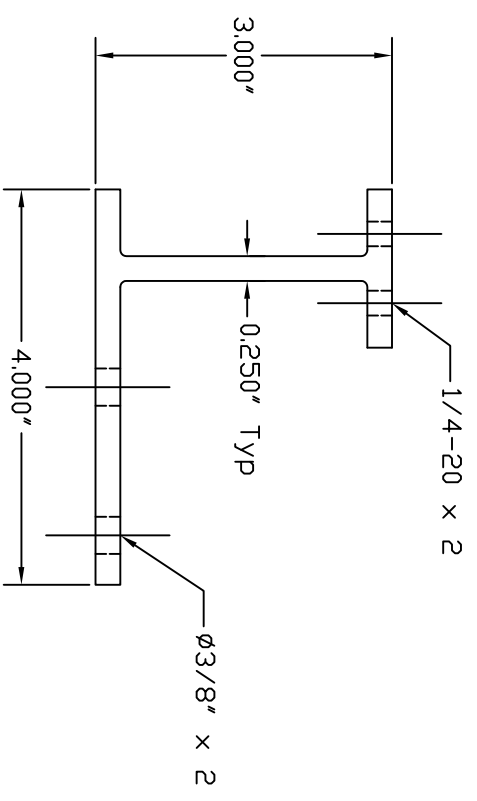
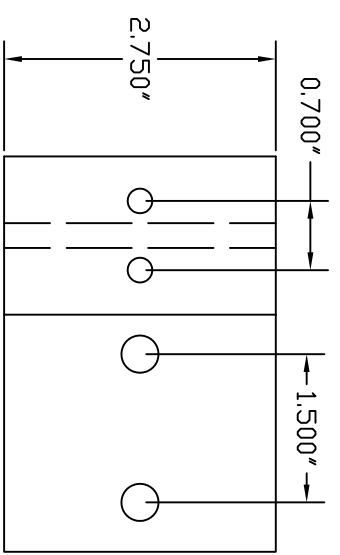
1. Anchor type, quantity and location to be established after project-specific design review
2. Long leg of base shall always be to up side of slope.

516 Lindenhurst St. Philadelphia, PA 19116 215-892-5600

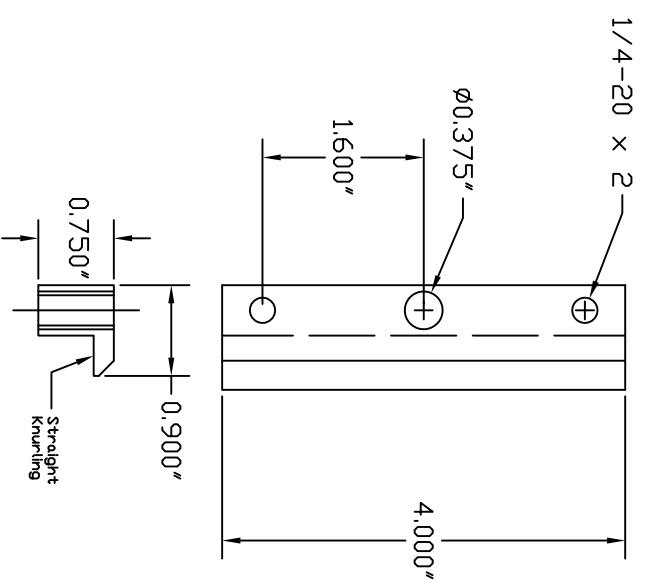
**Solar Clam-P**

Solar Clam-P  
Sections and Details

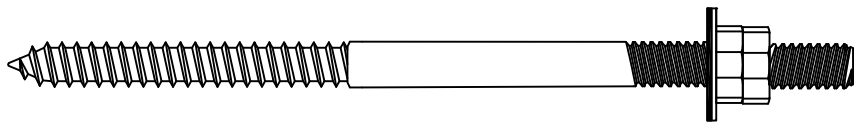
SIZE	PROJ. NO.	DWG. NO.	REV
B	C2294,01	D-001,01	-
SCALE	DATE	SHEET	
NTS	09/10/12	2 OF 3	



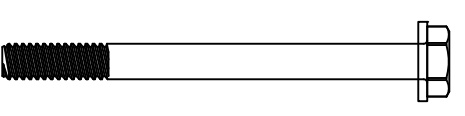
Top Clamp



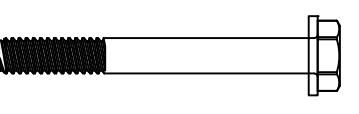
Bottom Clamp



5/16 x 6" hanger bolt with lock nuts and gasketed washer



1/4-20 x 3" bolt with lock washer



1/4-20 x 2-1/4" bolt with lock washer

Bill of Materials

Item	Material	Quantity
1/4-20 x 3" Bolt	304 SS	1
1/4-20 x 2-1/4" Bolt	304 SS	2
5/16 x 6" Hanger Bolt	304 SS	1
Base	6061-T6	1
Top Clamp	6061-T6	1
Bottom Clamp	6061-T6	1
1/4" Lock Washer	304 SS	3
5/16-18 Hex Nuts	304 SS	2
5/16" Sealing Washer	304 SS / Rubber	1

516 Lindenhurst St. Philadelphia, PA 19116 215-892-5600

Solar Clamp-P

Solar Clamp-P Components

SIZE	PROJ. NO.	DWG. NO.	REV
B	C2294,01	D-001,01	-
SCALE	DATE	SHEET	
NTS	09/10/12	3 OF 3	